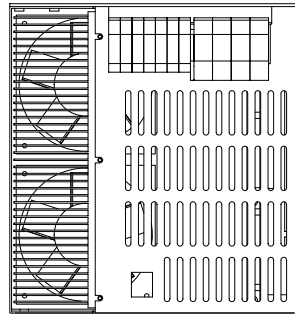
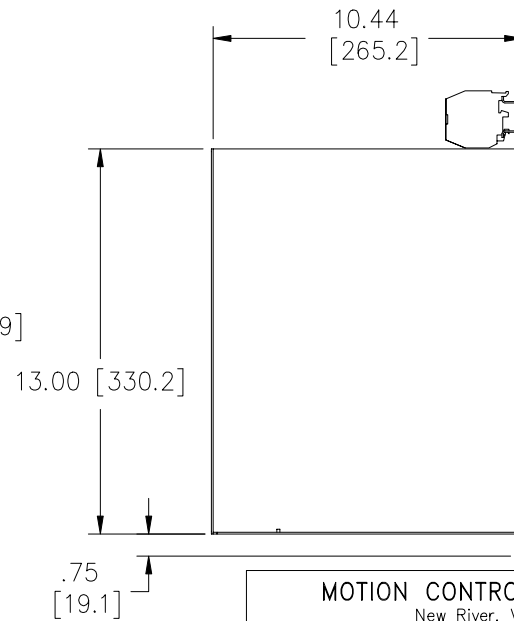
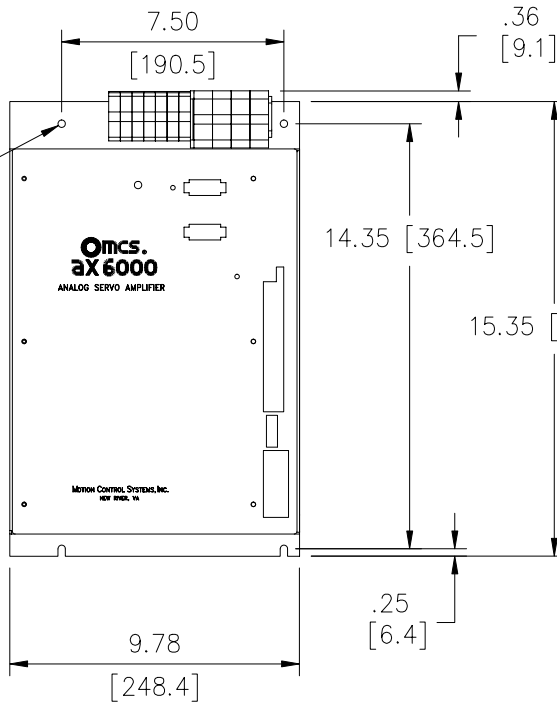


NOTES:

1. DIMENSIONS ARE : INCHES [MILLIMETERS]
2. INPUT AC: 100-240 VAC.
3. MAX AMBIENT: 40°C.



MOUNTING HOLES
4X ϕ .28 [7.1]



REVISIONS			
REV	DESCRIPTION	DATE	APPROVED

MOTION CONTROL SYSTEMS, INC. New River, Virginia 24129			
AX-5000/6000 OUTLINE & MOUNTING DIMENSIONS			
SIZE B	SCALE 1/4	DWG NO. 1404140	REV. NONE
CHKD DATE : TD 11-22-02	DWG DATE : DC 10-30-02	SHEET 1 OF 1	